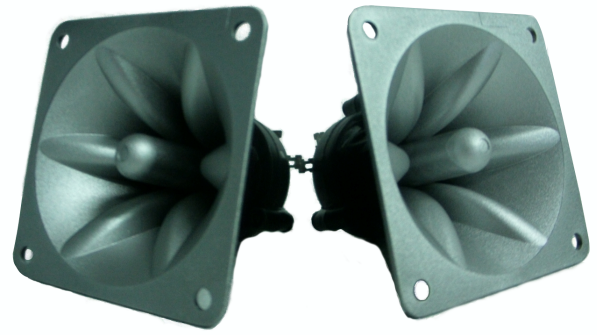


Piezo Ceramic Speakers

Model KSN 1005B Super Horn

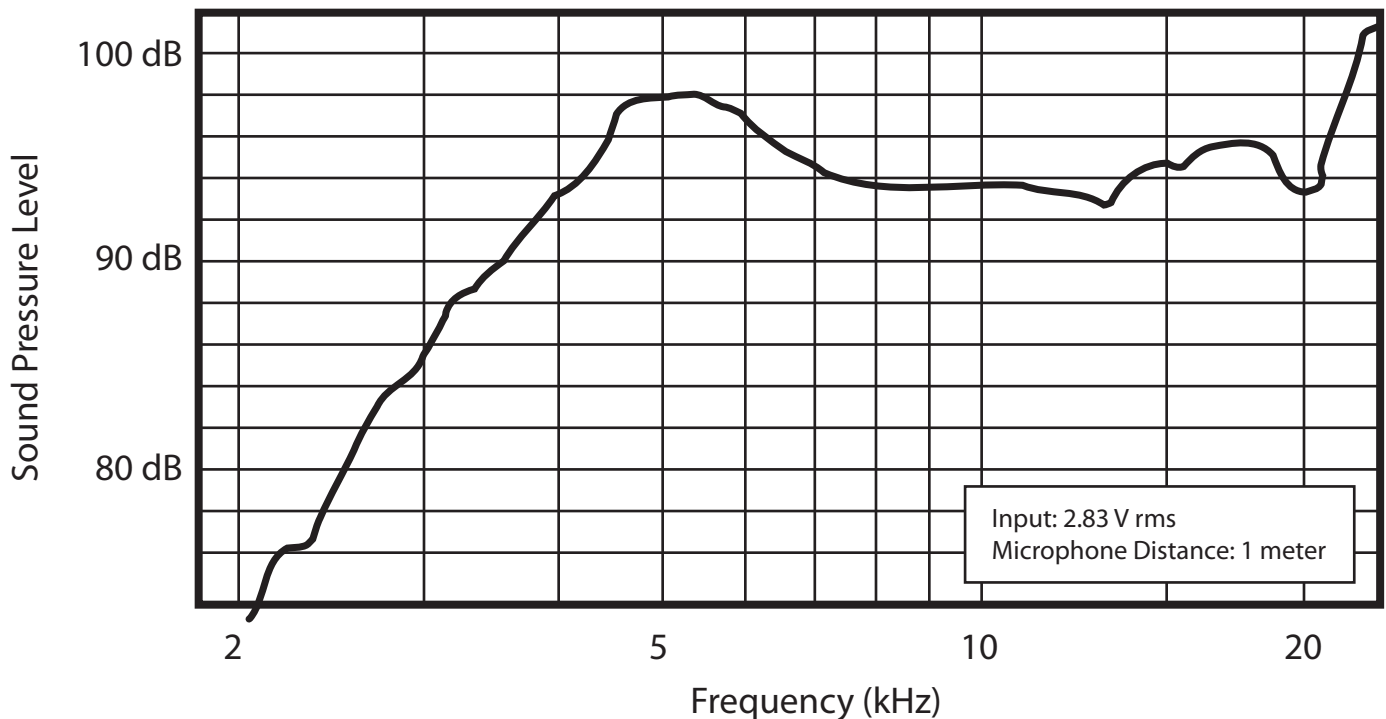
The original Super Horns, with sound pressure levels of 94 dB @ 1m/1W, set the standard for piezo speakers. A smooth response from 4 kHz to 20 kHz makes them ideal for sound reinforcement and high-fidelity applications.

This horn is silver coated for maximum heat reflection for hot environment.



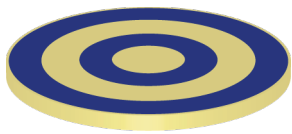
KSN 1005B

Frequency Response



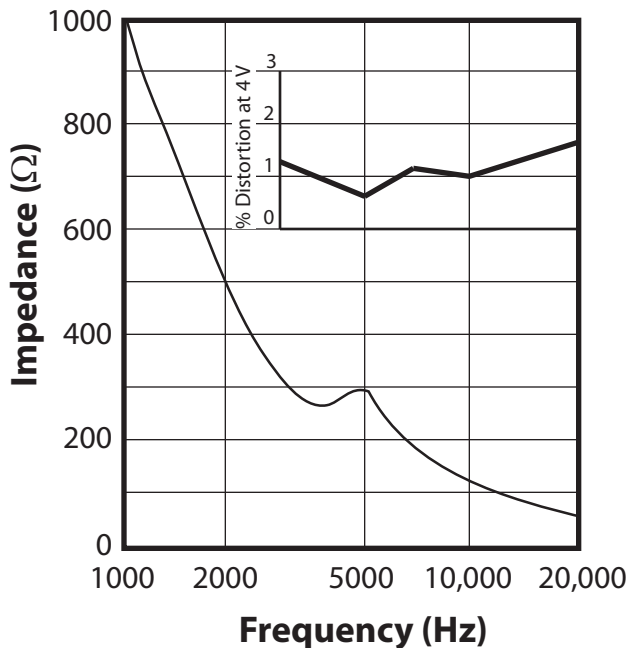
www.piezosource.com

250 East Gish Rd
San Jose, CA 95112
Phone: 408-487-1700
Fax: 408-487-1707
Email: sales@piezosource.com



Piezo Ceramic Speakers

KSN 1005B Specifications



Frequency Response: 4 kHz to 27 kHz

Average Sensitivity: 94 dB at 1m/1W

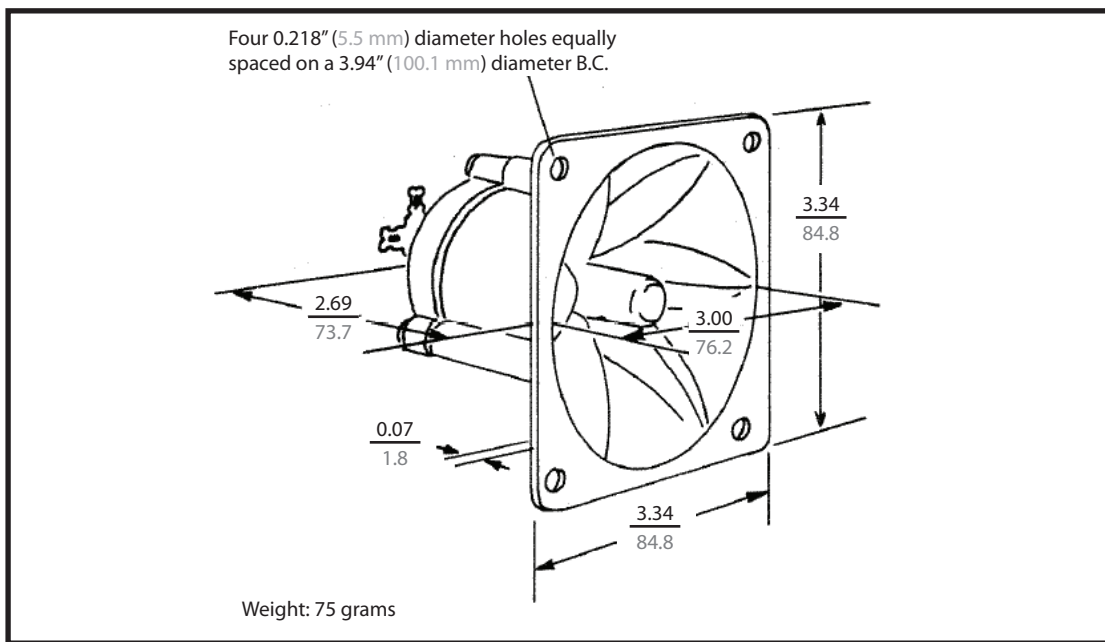
Maximum Power Handling Capacity: 75 W (EIA RS426)
(8 Ω system reference)

Maximum Voltage: 15 V rms continuous
35 V rms intermittent

Maximum Temperature: 80°C

Typical Impedance: Appears as a 0.13 μF capacitor

KSN 1005B Dimensions



All dimensions are in $\frac{\text{inches}}{\text{millimeters}}$

Warning: Do not operate at continuous high voltage. At frequencies below 20 kHz, daily sound pressure exposures in excess of one hour at 105 dB may lead to hearing impairment.

Warning: A 30 ohm series resistor is recommended to assure stability of extended range amplifiers and preclude hazard of burnout.



www.piezosource.com

250 East Gish Rd
San Jose, CA 95112
Phone: 408-487-1700
Fax: 408-487-1707
Email: sales@piezosource.com