

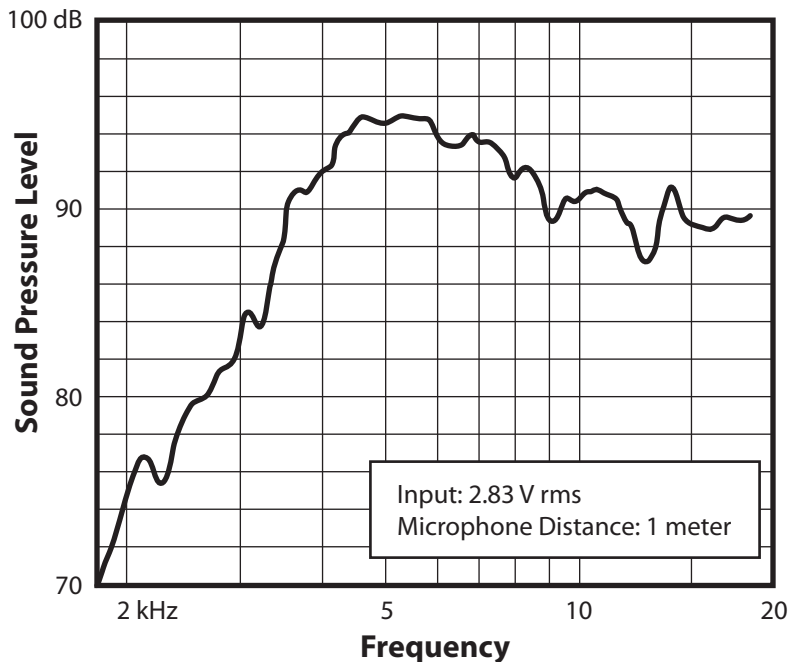
Piezo Ceramic Speakers

Model KSN 1038A Exponential Horn

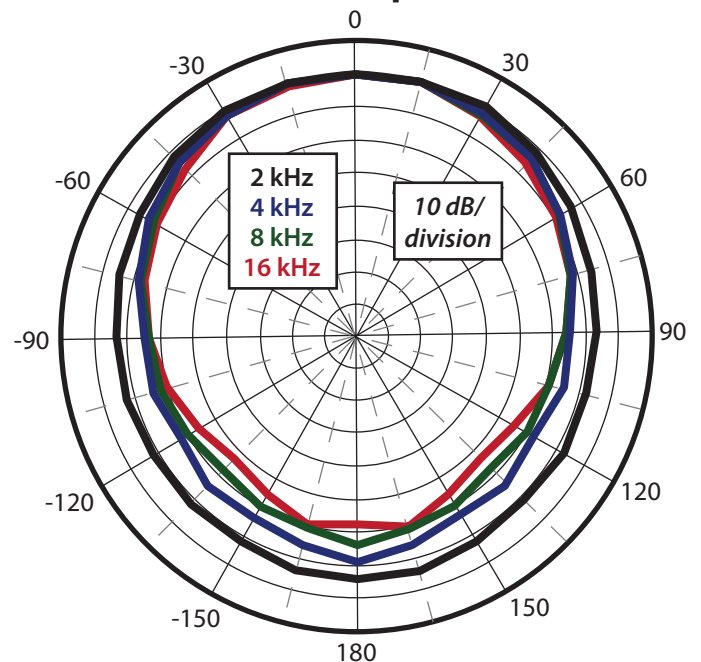
The KSN 1038A exponential horn tweeter combines high output (90 dB @ 1m/1W and 100 W handling capability) with excellent dispersion characteristics.



Frequency Response

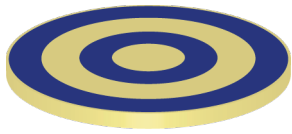


Polar Response

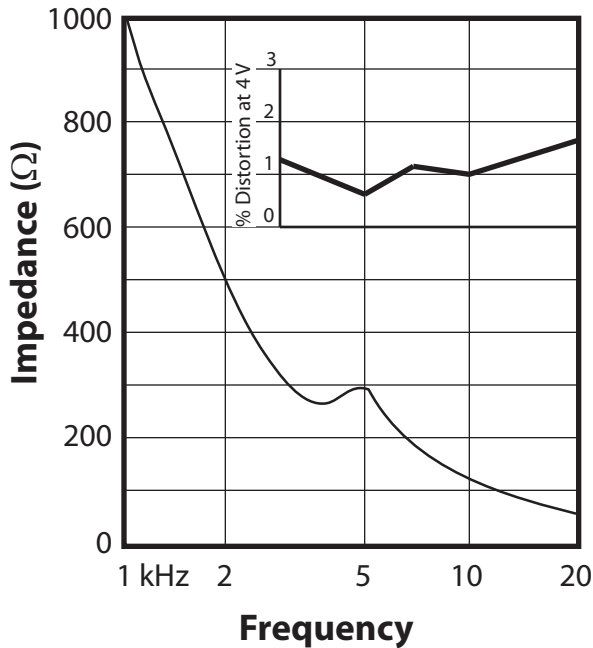


www.piezosource.com

250 East Gish Rd
San Jose, CA 95112
Phone: 408-487-1700
Fax: 408-487-1707
Email: sales@piezosource.com



Piezo Ceramic Speakers



KSN 1038A Specifications

Frequency Response: 4 kHz to 27 kHz

Average Sensitivity: 90 dB at 1m/1W

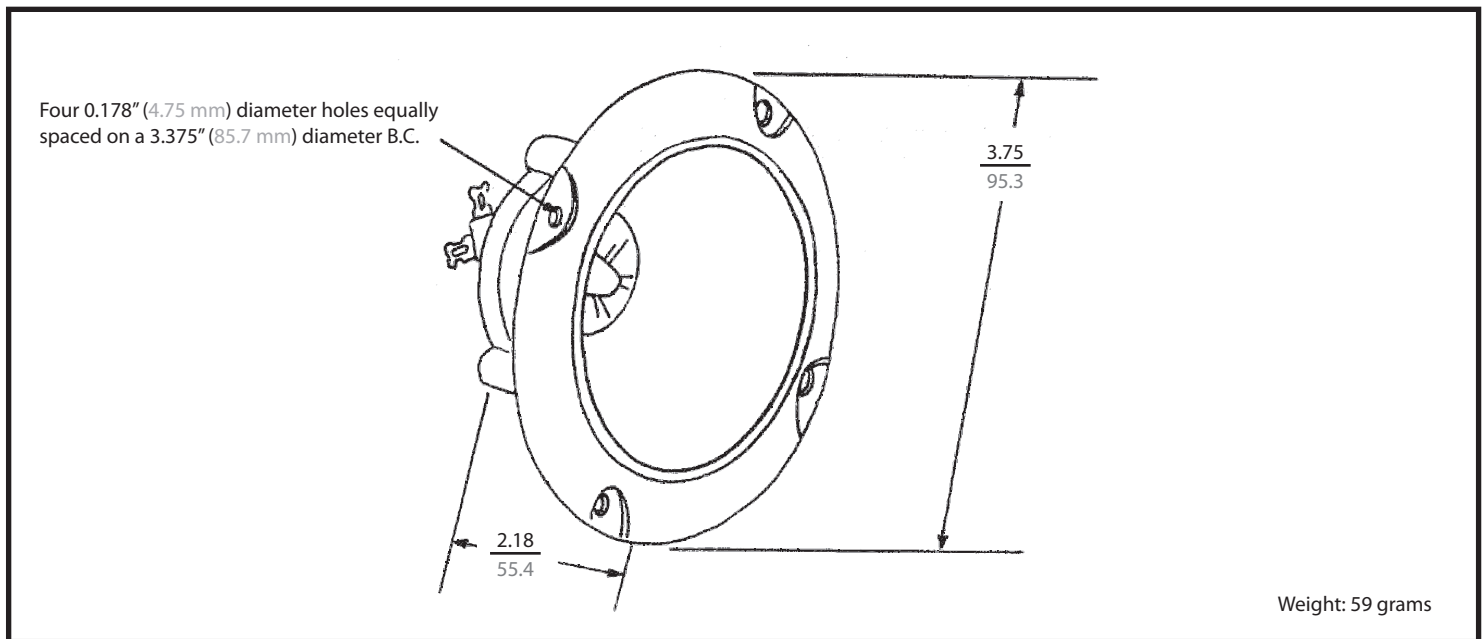
Maximum Power Handling Capacity: 100W (EIA RS426)
(8 Ω system reference)

Maximum Voltage: 15 V rms continuous
35 V rms intermittent

Maximum Temperature: 80°C

Typical Impedance: Appears as a 0.13 μF capacitor

KSN 1038A Dimensions



All dimensions are in $\frac{\text{inches}}{\text{millimeters}}$

Warning: Do not operate at continuous high voltage. At frequencies below 20 kHz, daily sound pressure exposures in excess of one hour at 105 dB may lead to hearing impairment.

Warning: A 30 ohm series resistor is recommended to assure stability of extended range amplifiers and preclude hazard of burnout.



www.piezosource.com

250 East Gish Rd
San Jose, CA 95112
Phone: 408-487-1700
Fax: 408-487-1707
Email: sales@piezosource.com