

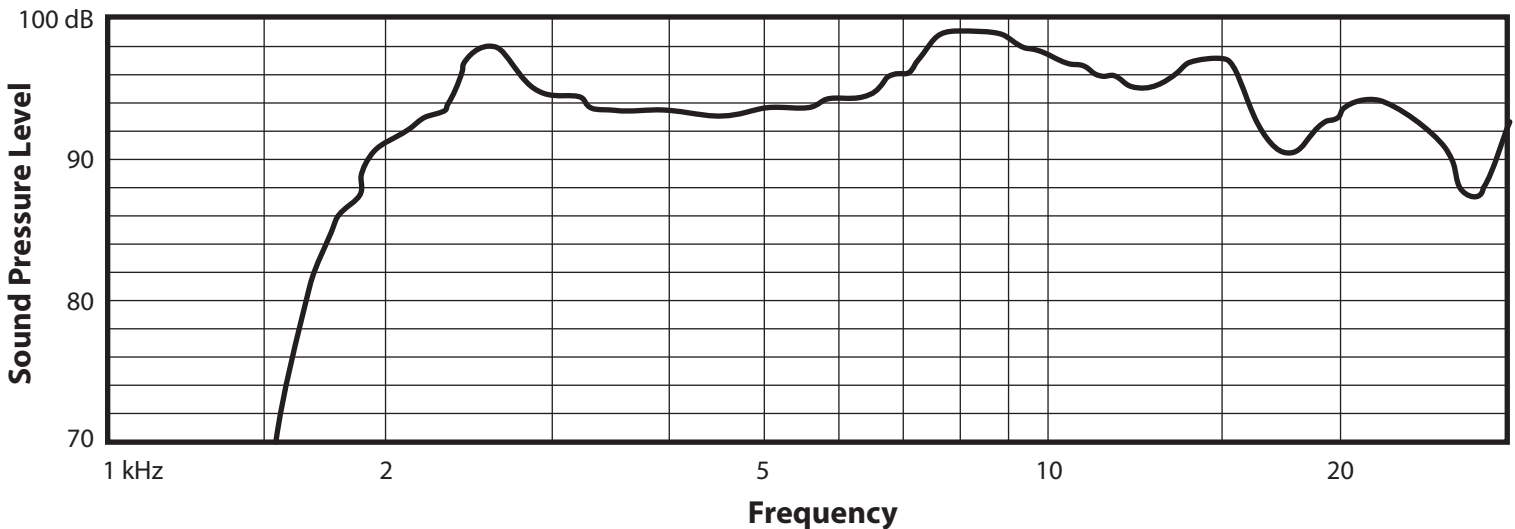
Piezo Ceramic Speakers

Model KSN 1165A Bullet Tweeter

The KSN 1165A Bullet tweeter provides a distinctive high tech appearance. The 1.8 kHz exponential Bullet Horn combines high output with excellent dispersion characteristics. The 75 watt speaker incorporates protective circuitry which allows it to be used safely at continuous power levels of 400 watts.

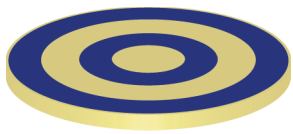


Frequency Response



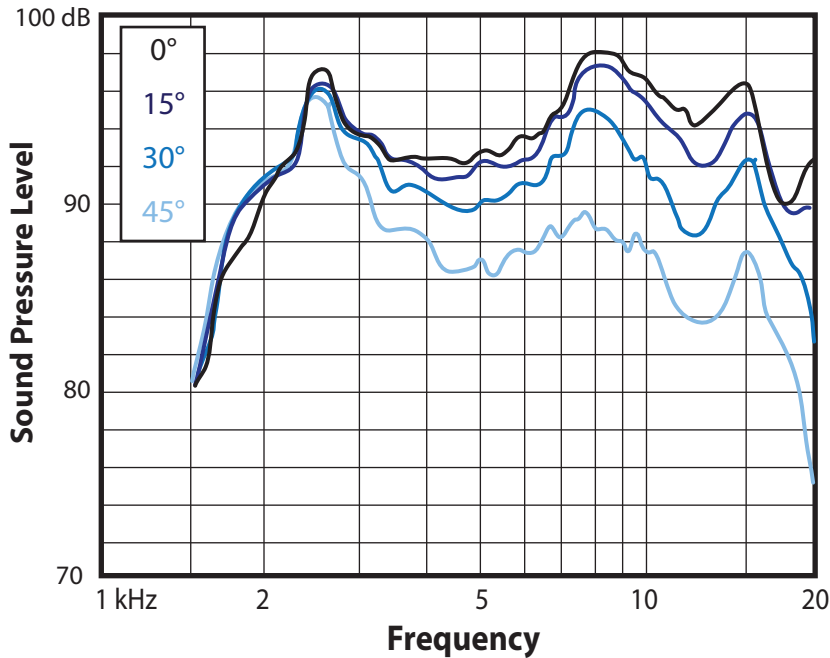
www.piezosource.com

250 East Gish Rd
San Jose, CA 95112
Phone: 408-487-1700
Fax: 408-487-1707
Email: sales@piezosource.com



Piezo Ceramic Speakers

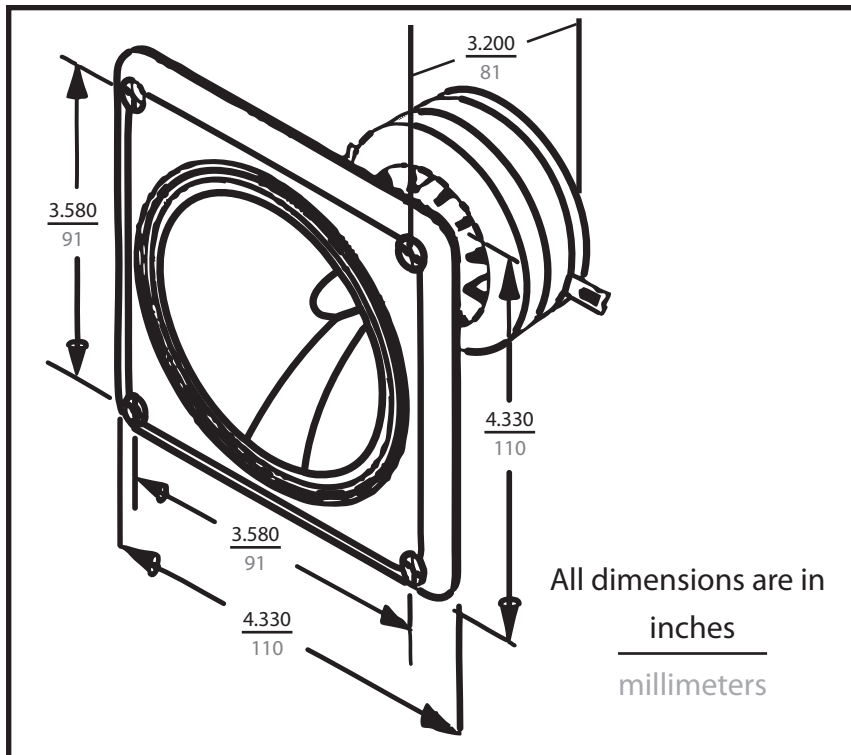
Off-Axis Response



KSN 1165A Specifications

Frequency Response:	1.8 kHz to 30 kHz
Average Sensitivity:	93 dB at 1m/1W
Maximum Power Handling Capacity:	400 W (EIA RS426) (8 Ω system reference)
Maximum Temperature:	90 °C (194 °F)
Typical Impedance:	Appears as a 0.3 μ F capacitor in series with a 30 Ω resistor

KSN 1165A Dimensions



WARNING: Do not operate at continuous high voltage at frequencies below 20 kHz. Daily sound pressure exposures in excess of one hour at 105 dB may lead to hearing impairment.



www.piezosource.com

250 East Gish Rd
San Jose, CA 95112
Phone: 408-487-1700
Fax: 408-487-1707
Email: sales@piezosource.com