

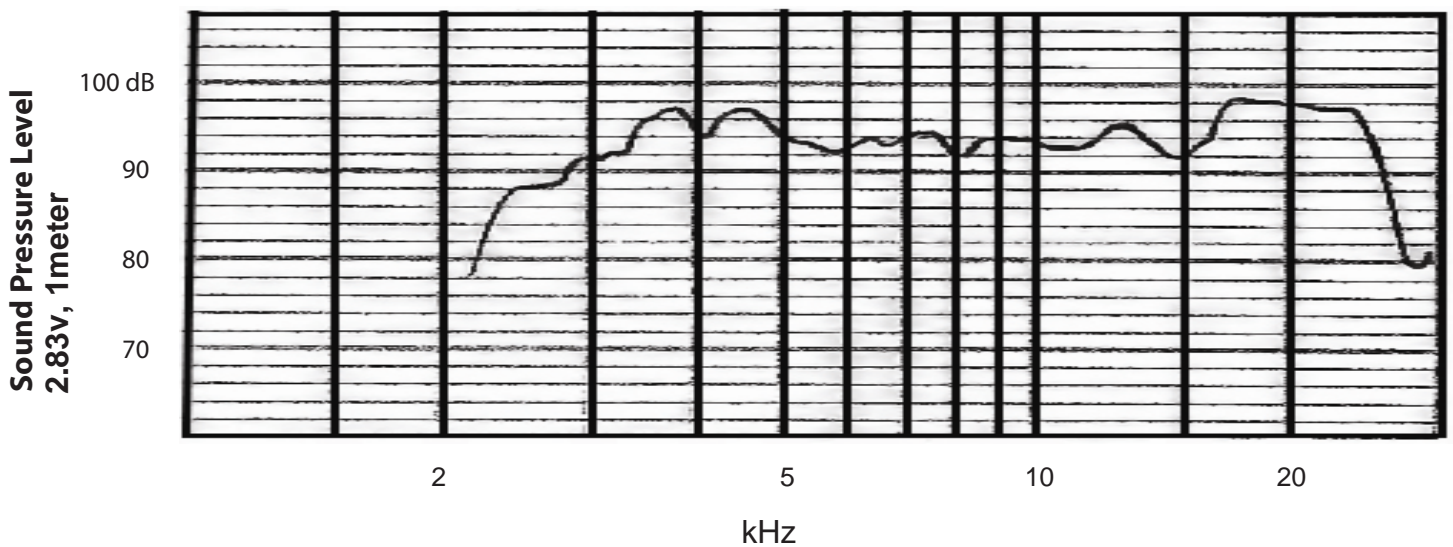
# Piezo Ceramic Speakers

## Model KSN 1167A Bullet Tweeter

The 3.5 kHz Exponential Horn combines high output with excellent dispersion characteristics. The piezo ceramic speaker presents no added load to the amplifier and rejects low frequency power without requiring the use of a crossover network.



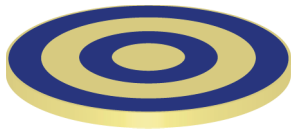
Frequency Response



**Piezo Source**

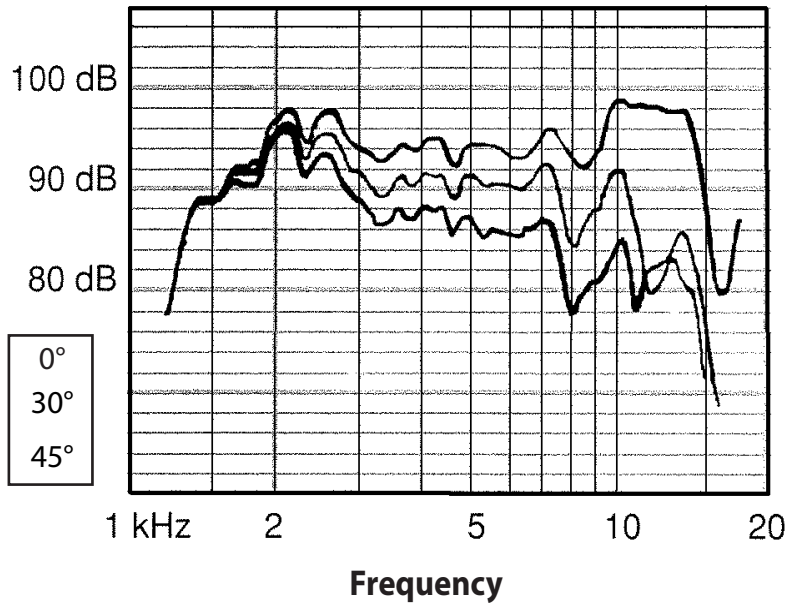
[www.piezosource.com](http://www.piezosource.com)

250 East Gish Rd  
San Jose, CA 95112  
Phone: 408-487-1700  
Fax: 408-487-1707  
Email: [sales@piezosource.com](mailto:sales@piezosource.com)



# Piezo Ceramic Speakers

## Off-Axis Response



## KSN 1167A Specifications

**Frequency Response:** 3.5 kHz to 25 kHz

**Average Sensitivity:** 93 dB SPL @2.83v, 1m

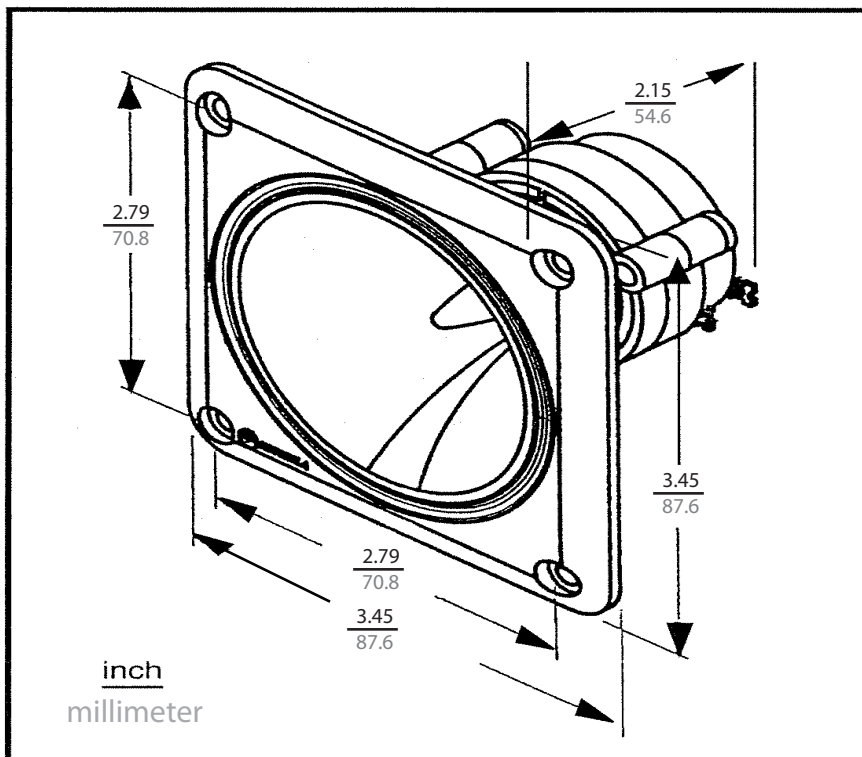
**Maximum Power:** 75 W (EIA RS426)

**Handling Capacity:** (8  $\Omega$  system reference)

**Maximum Temperature:** 90 °C (194 °F)

**Typical Impedance:** Appears as .12  $\mu$ F capacitor

## KSN 1167A Dimensions



**WARNING:** Do not operate at continuous high voltage at frequencies below 20 kHz. Daily sound pressure exposures in excess of one hour at 105 dB may lead to hearing impairment.



[www.piezosource.com](http://www.piezosource.com)

250 East Gish Rd  
San Jose, CA 95112  
Phone: 408-487-1700  
Fax: 408-487-1707

Email: [sales@piezosource.com](mailto:sales@piezosource.com)